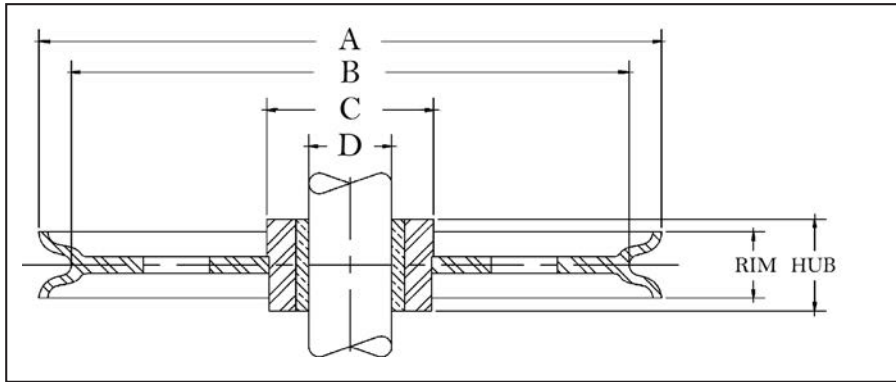


# McKissick® Bronze Bushed Sheaves



## Bronze Bushed Sheaves

- Roll-Forged sheaves are available in sizes up to 78" in diameter.
- McKissick® Bronze Bushed Sheaves are equipped with S.A.E. 660 Bronze Bushings for cold finished shafts with "Figure 8" oil groove.
- For sizes not listed, McKissick Finished Bore Sheaves can be equipped with bronze bushings at an optional charge.

"A" Nominal Outside Diameter (in.)	Stock Number	Wire Line Size (in.)	"D" Shaft Size (in.)	Hub Width (in.)	Rim Width (in.)	"C" Nominal Hub Outside Diameter (in.)	"B" Nominal Tread Diameter (in.)	Material	Approx. Weight (lbs.)
2-1/4	907004	1/4	3/8*	5/8	9/16	3/4	1-7/8	B.S.	.75
3	907059	3/16	3/8*	25/32	3/4	1	2-3/8	P.M.	1.00
3	907077	3/16	1/2*	25/32	3/4	1	2-3/8	P.M.	1.00
3	907095	3/16	5/8*	25/32	3/4	1	2-3/8	P.M.	1.00
3	907022	1/4	3/8*	1/2	1/2	1	2-5/8	P.M.	.75
3	907040	1/4	1/2*	1/2	1/2	1	2-5/8	P.M.	.75
3	460165	1/4	1/2*	1-5/16	1-3/16	1-1/8	2-1/16	B.S.	1.00
3	2030896	5/16	3/4	1	7/8	1-3/4	2-1/4	P.M.	1.50
3	907068	3/8	3/8*	3/4	3/4	1	2-3/8	P.M.	1.00
3	916101	3/8	3/8*	25/32	3/4	1-1/2	2-3/8	B.S.	1.00
3	907086	3/8	1/2*	3/4	3/4	1	2-3/8	P.M.	1.00
3	916110	3/8	1/2*	25/32	3/4	1-1/2	2-3/8	B.S.	1.00
3	460156	3/8	1/2*	1-5/16	1-3/16	1-1/8	2-1/16	B.S.	1.00
3	907102	3/8	5/8*	3/4	3/4	1	2-3/8	P.M.	1.00
3	2030895	3/8	3/4	1	7/8	1-3/4	2-1/4	P.M.	1.50
3	2023202	7/16	3/4	1	7/8	1-3/4	2-1/4	P.M.	1.50
3	916129	1/2	3/8*	1-1/4	1-1/8	1-7/8	2	B.S.	1.33
3	916138	1/2	1/2*	1-1/4	1-1/8	1-7/8	2	B.S.	1.50
4	460290	1/8	1	1	7/8	2	3-1/8	B.S.	2.00
4	907111	3/16	1/2*	3/4	5/8	1-3/8	3-1/2	P.M.	1.00
4	907139	3/16	5/8*	3/4	5/8	1-3/8	3-1/2	P.M.	1.00
4	916147	1/4	1/2*	13/16	3/4	2	3-1/4	B.S.	1.50
4	916165	1/4	3/4*	13/16	3/4	2	3-1/4	B.S.	1.50
4	460307	1/4	1	1	7/8	2	3-1/8	B.S.	2.00
4	907120	5/16	1/2*	3/4	5/8	1-3/8	3-1/2	P.M.	1.00
4	907148	5/16	5/8*	3/4	5/8	1-3/8	3-1/2	P.M.	1.00
4	907166	3/8	1/2*	13/16	3/4	1-1/2	3-1/4	P.M.	1.25
4	916156	3/8	1/2*	13/16	3/4	2	3-1/4	B.S.	1.50
4	907184	3/8	5/8*	13/16	3/4	1-1/2	3-1/4	P.M.	1.40
4	907200	3/8	3/4*	13/16	3/4	1-1/2	3-1/4	P.M.	1.25
4	460316	3/8	1	1	7/8	2	3-1/8	B.S.	2.00
4	907228	1/2	1/2*	1-1/16	1	1-5/8	3-3/16	P.M.	1.50
4	916192	1/2	1/2*	1-1/8	1	1-5/8	3-3/16	B.S.	2.00
4	907246	1/2	5/8*	1-1/16	1	1-5/8	3-3/16	P.M.	1.50
4	907264	1/2	3/4*	1-1/16	1	1-5/8	3-3/16	P.M.	1.50
4	2028640	3/8	3/4*	13/16	3/4	2	3-1/4	B.S.	1.50
4-1/8	2023186	3/8	1	1-1/2	1-3/8	2	3	F.S.	3.50
4-1/8	2029618	1/2	1	1-1/2	1-3/8	2	3	F.S.	3.50
4-1/8	2023188	5/8	1	1-1/2	1-3/8	2	3	F.S.	3.50
4-1/4	460450	3/8	5/8*	1-3/16	15/16	2-1/8	3-3/8	B.S.	2.40
4-1/4	460441	1/2	5/8*	1-3/16	15/16	2-1/8	3-3/8	B.S.	2.40
4-3/4	460575	5/16	5/8	1-9/16	1-3/8	1-1/2	3-5/8	D.I.	3.50
4-3/4	460584	3/8	5/8	1-9/16	1-3/8	1-1/2	3-5/8	D.I.	3.50
4-3/4	460593	1/2	5/8	1-9/16	1-3/8	1-1/2	3-5/8	D.I.	3.50

\*Self Lubricating Bushing. Custom sheaves are available. See page 287 for ordering details.